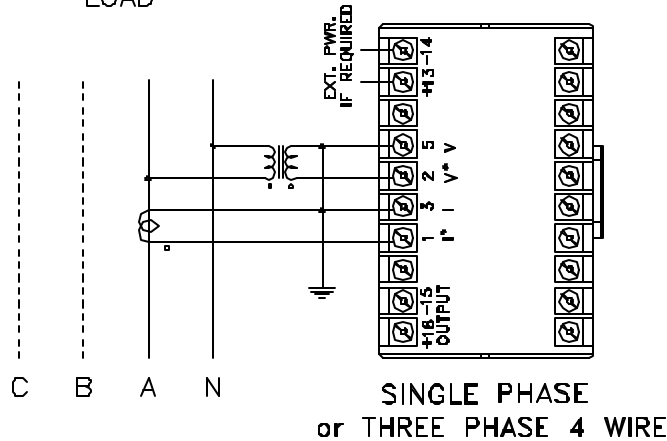


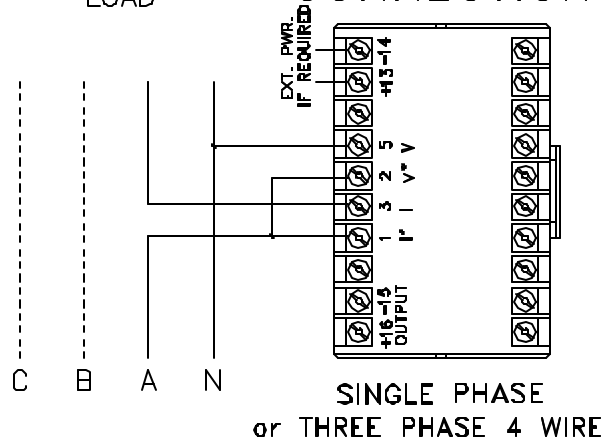
CT/PT CONNECTION

LOAD

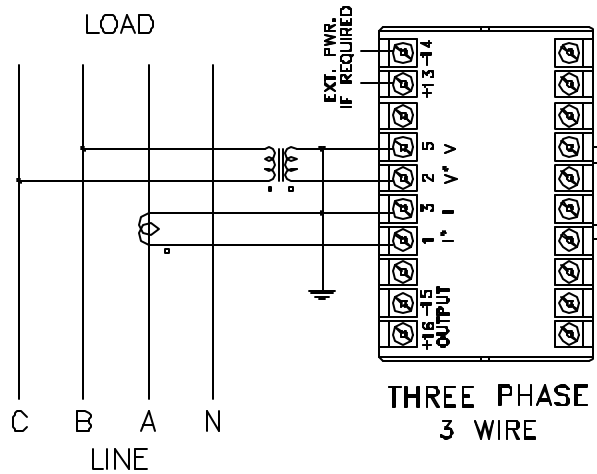


DIRECT CONNECTION

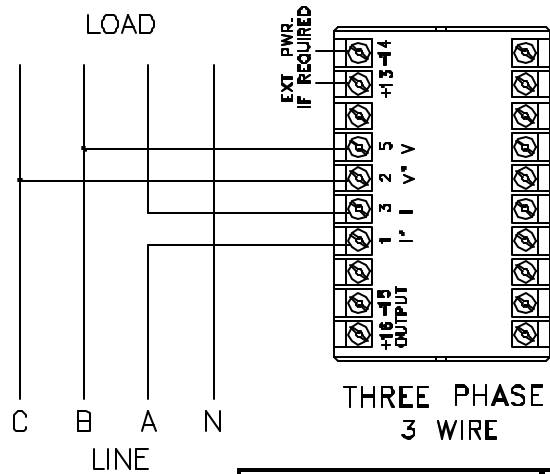
LOAD



LOAD



LOAD



NOTES

FOR SUPPLY CONNECTIONS USE No. 14 AWG OR LARGER WIRES RATED FOR AT LEAST 75 DEGREES C (167 DEGREES F). USE COPPER CONDUCTORS ONLY

POWER FACTOR TRANSDUCERS DO NOT UNDERSTAND PHYSICS, AND DO NOT KNOW THAT POWER FACTOR CANNOT EXCEED 90 DEGREES.

IF READING APPEARS TO BE OUT OF RANGE, REVERSE CURRENT OR POTENTIAL LEADS TO SUIT.

DIRECT CONNECT TRANSDUCERS ARE AVAILABLE TO 600 V(ac) AND /OR 25 A(ac).

PHASES CAN BE ROTATED ON THREE PHASE UNITS.

IT IS GOOD PRACTICE TO USE RING LUGS ON CURRENT CIRCUITS

IT IS GOOD PRACTICE TO CONNECT ONE SIDE OF THE PT AND CT TO EARTH GROUND.

CONNECTION DIAGRAM

REVISION



MEASUREMENT TECHNOLOGIES, LTD.
Voice: 817-442-9930
Web Site: www.mtech.biz

DRAWN TONY C	TITLE DIN RAIL MOUNT POWER FACTOR TRANSDUCER CONNECTION DIAGRAM	
CHECKED T.N.		
APPROVED T.N.		
DATE JUNE, 1993	DRAWING No. DPF-1	SHEET 1 of 1
		REV. 1