

T95X I/P Transducer

FEATURES

- Compact Size
- Easy Wiring
- Multiple Inputs/Outputs
- RFI/EMI Protected
- Modular Control Pack
- Position Insensitive (can be mounted in any operation)
- Supply Pressure up to 100 psig
- Explosion-Proof NEMA 4X Housing
- Highly Tolerant of Impure Air
- Optional Field Selectable
- Non-Interactive Zero Span
- High Accuracy $\pm .1\%$ of Span



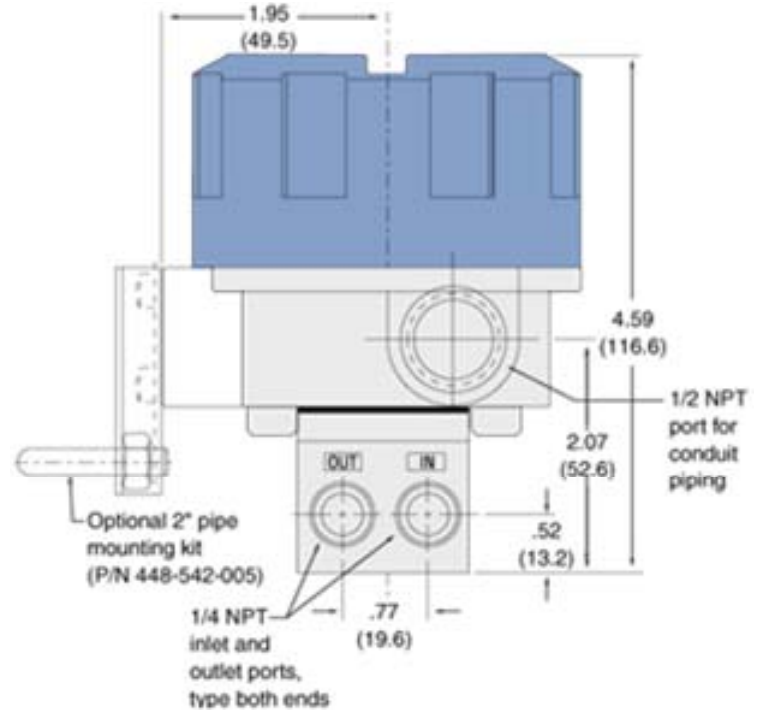
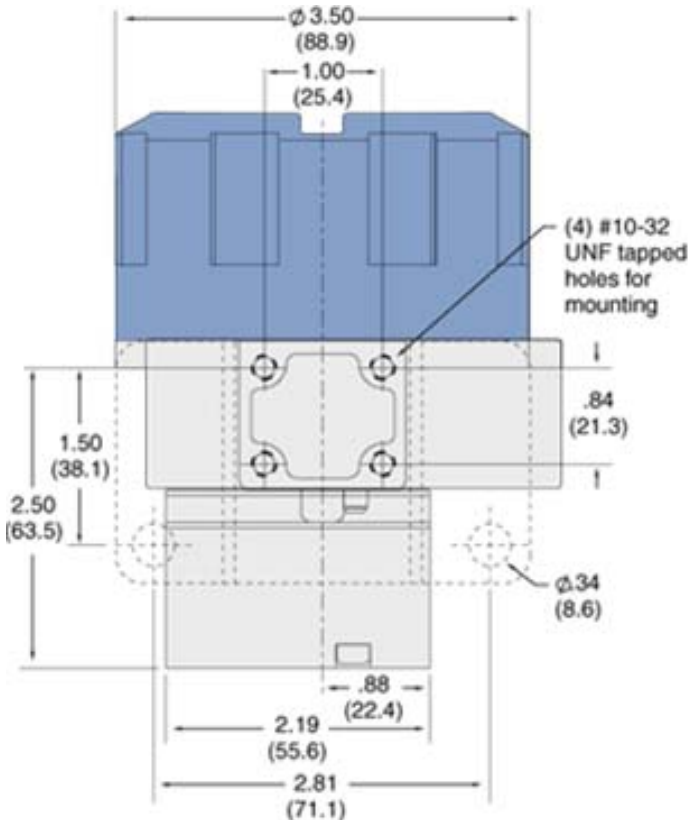
GENERAL INFORMATION

The mTech T95X is a compact I/P transducer that delivers reliable high performance for the toughest applications in the most hazardous environments. Its NEMA 4X housing is designed for both Intrinsically Safe and Explosion-Proof operation. The advanced circuitry of the T95X includes electronic feedback control for superior vibration protection and a highly accurate output. With flow rates up to 12 SCFM (20m³/hr), the T95X has the power to drive large valves and actuators, yet only

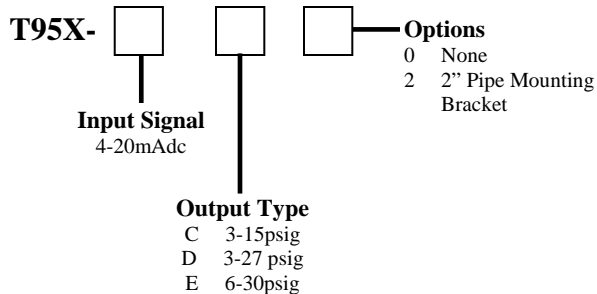
consumes 0.05 SCFM (0.11m³/hr). With this feature, the unit not only costs less to buy, but cost of ownership is less as well. And because the T95X is position insensitive, it gives you freedom in mounting and connecting to valves and instruments. Installation is easier as a result of this flexibility. Easy access Zero and Span adjustments make bench or field calibration quick and easy. You may choose direct, reverse, and split range modes for operating versatility.

SPECIFICATIONS

Inputs:	4-20mA	Loop Load:	7.5Vdc @ 20mA
Outputs:	3-15psig (0.2-1.00 BAR)	Operating Modes:	direct, reverse or split range
	3-27psig (0.2-1.80 BAR)	Accuracy:	$\pm 0.10\%$ of span
	6-30psig (0.4-2.00 BAR)	Deadband:	0.2% of span
Air Consumption:	3.0 scfh (0.7m ³ /hr) @ mid range	RFI/EMI Effect:	< .5% of span
Supply Pressure:	100psig (7.0 BAR) maximum	Port Size:	Pneumatic 1/4" NPT
Flow Capacity:	Min. - 4.5 scfm (7.6m ³ /hr) @ 25psig (1.7 BAR) supply		Electric 1/4" NPT
	Max. - 12 scfm (20.0m ³ /hr) @ 100psig (7.0 BAR) supply	Media:	Clean, dry, oil-free, air filtered to 40 microns
Temperature Limits:	Operating: -40/+160°F (40/+71°C)	Mounting:	Direct wall, panel, or 2" pipe (optional)
	Storage: -40/+200°F (-40/+93°C)	Weight:	1.8 lbs (.82kg)



Ordering Information



Measurement Technologies, Ltd.

P.O. Box 668
 1900 Industrial Blvd., Suite 200
 Colleyville, TX 76034 USA
 Tel: 817-442-9930
 Fax: 817-442-9990
 Email: sales@mtech.biz
 Website: www.mtech.biz